

IMPORTANT SAFETY INSTRUCTIONS

When using electrical appliances, especially when children are present, basic safety instructions should always be followed, including the following: Polythene bags over product or package may be dangerous. To avoid danger of suffocation, keep this wrapper away from babies and children. This bag is not a toy.

DANGER:

When the unit is used in a bathroom, unplug it after use since the proximity of water presents a hazard even when the unit is switched off.

WARNING: Do not use this appliance in or near bathtubs, showers, basins or other vessels containing water.

- Do not immerse in water or other liquids.
- Do not reach for an appliance that has fallen into water. Unplug immediately.
- Take care to avoid contact between the hot surfaces of the unit and the skin, paying particular attention to the face, neck and hands.
- This appliance is not intended for use by infirm persons (including children) with reduced physical, sensory or mental capabilities, or lack of experience and knowledge, unless they have been given supervision or instruction concerning use of the appliance by a person responsible for their safety.
- Children should be supervised to ensure that they do not play with the appliance.

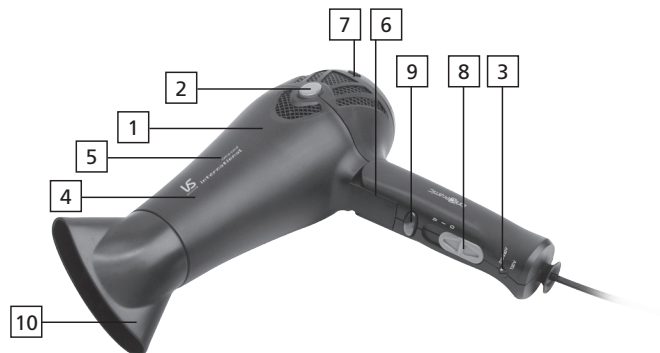


- IMPORTANT:** Always unplug the appliance when not in use or before cleaning. Do not leave unattended when plugged in or switched on. Do not place on any heat-sensitive surface and always allow to cool before storing away.
- Do not use any attachments other than those supplied by Conair Australia Pty Ltd.
 - Use this appliance only for its intended use as described within this instruction booklet.
 - This appliance is not intended for commercial use.
 - Never drop or insert any object into an opening.
 - Never block the air openings of the appliance or place on a soft surface such as a bed or couch, where the air openings may be blocked. Keep the air openings free of lint and other debris.
 - Attachments may get hot during use. Allow them to cool before handling.
 - Do not use outdoors or operate where aerosol (spray) products are being used or where oxygen is being administered.
 - Keep the cord away from heated surfaces.
 - Do not use an extension cord with this appliance.
 - If the supply cord is damaged, it must be replaced by the manufacturer, its service agent or similarly qualified persons in order to avoid a hazard.
 - After use do not wrap the cord around the appliance as in time this may cause the cord to fracture. Coil cord loosely by the side of the appliance in storage.
 - Always ensure that the voltage to be used corresponds to the voltage marked on the unit.
 - For additional protection, the installation of a residual current device (RCD) with a rated operating current not exceeding 30mA is advisable in the electrical current circuit supplying the bathroom. Ask your installer for advice.

International 2400 Dryer

VS Sassoon's International 2400 Dryer is a 2000 watt high performance travel hairdryer, featuring a cord keeper system and folding handle for ultimate convenience.

Ceramic and ionic conditioning technology™ leaves hair shiny and silky, with reduced frizz and flyaways.



Features:

1. 2000 watts
2. Cord keeper system
3. Multi voltage
4. Ionic Conditioning Technology™
5. Ceramic Tourmaline Technology
6. Folding handle
7. Removable rear filter
8. 2 heat/speed settings
9. Cool shot button
10. Concentrator

Before use:

Before using this hairdryer, you must unwind the cord completely – see "What is the Cord keeper system and how do I use it?" for further information.

How to use your International 2400 Dryer

This hairdryer offers style and control right around the globe.

1. A plastic cover has been placed over the plug to protect it from damage during transportation. Remove the plastic cover from the plug before use.
2. Wash and condition your hair as usual.
3. Always towel-dry hair before using the dryer.
4. There are 2 heat/speed settings, plus the cool shot button.
 - a. Use the low heat and speed setting as the hair begins to dry and for styling and scrunch drying. The low heat is also best for fine or damaged hair.
 - b. Use the high heat and speed setting for initial drying. The highest setting is ideal for thick or hard to style hair.
5. Use the cool shot on warm hair to rapidly cool the hair and set the style in place for a longer-lasting effect.

What is the Cord keeper system and how do I use it?



The Cord keeper system provides the ultimate in convenience, with no messy cord tangles or knots, at the touch of a button.

To use this system, unwind the cord by simply pulling the power cord down until it stops. As soon as the red marker is visible on the power cord, stop pulling, the power cord has now reached the maximum length. Do not pull beyond this

point, as it could cause damage to the power cord.

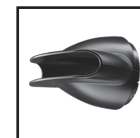
To rewind the power cord after use, simply press the 'push' button (located on the front body of the appliance).

CAUTION: Always make sure the power cord is completely unwound before turning on the hairdryer. The cord rewinds very quickly: to avoid injury, hold the plug with one hand while pressing the 'push' button with the other.

How do I use the folding handle?

The folding handle on this appliance provides the ultimate in convenience. To fold the handle, simply push the handle towards the barrel of the hairdryer to the closed position. To unfold, simply pull the handle into the upright position.

The Attachments:



Concentrator -

Use the concentrator for directing airflow just where you want it, to ease styling and straightening. For additional control use one of the lower settings and point the airflow along the surface of the hair to be dried.

CAUTION: Take care not to direct the airflow directly onto the skin (e.g. scalp, neck ears, face, etc.) as hot air from the hairdryers can, particularly if held to close, cause discomfort or even burns.

How does the ionic feature work?





Many aspects of modern living, including air conditioning, contact with man-made fibres and air pollution add to the build-up of static electricity in the hair. Even brushing and towel-drying the hair can increase these levels. This static charge causes the scales, or cuticles of the hair, to push hair strands apart, resulting in a rough hair surface. Consequently, hair may have a dull appearance. High levels of static charge cause hair to become 'flyaway' and difficult to style. The advanced internal ionic generator conditions hair by emitting negative ions to reduce static, by leaving hair silky and shiny with reduced frizz.

What is Ceramic Technology™?

Ceramic technology™ delivers even heat distribution, helping to reduce harmful and damaging hotspots. Ceramic helps to retain heat longer and provides quicker results than non-ceramic styling tools.

Multi Voltage

This dryer has an adjustable voltage feature for worldwide use. The voltage can be adjusted for use at 110-120V or 220-240V by selecting the required voltage using the screw on the handle. To set the voltage at 220-240 move the screw anticlockwise till the central groove of the screw is pointing towards the '240' marking. To set the voltage at 110-120 move the screw clockwise until the central groove of the screw is pointing towards the '120' marking. A suitable plug adaptor will be required, please refer to the chart below. Always ensure the voltage to be used corresponds with the voltage selected. Never use the appliance on 240V if the appliance is set to 120V or vice versa. The multi voltage feature on this dryer allows the dryer to be used world wide when traveling.

Plug adaptor required	Voltage and plug adaptors	Country	Voltage setting
	British plug: 240V	Ireland, Great Britain, Singapore, South America, Hong Kong (parts only), Africa (parts only)	240V
	European plug: 240V	Asia, Europe, Middle East Noumea, Scandinavia, South America, Hong Kong (parts only)	240V
	Australian and New Zealand plug: 240V	Australia, New Zealand	240V
	American plugs: 120V	North America, Japan, Canada (parts of)	120V

Cleaning and Maintenance

To help maintain optimum performance and prevent overheating of the hairdryer, the rear filter should be cleaned on a regular basis.

- Ensure that the appliance is switched off, unplugged from the power outlet and has cooled down.
- Holding the handle of the appliance firmly, pull the rear filter off to remove, by holding either side of the rear filter cover.
- Using a soft brush, clean any hair and other debris that may build up in the filter.
- Replace the rear filter and click into place to secure.

Limited Two Year Warranty

Conair Australia Pty Ltd. will repair or replace (at our option) your appliance free of charge for twenty-four months from the date of purchase if the appliance is defective in workmanship or materials.

This warranty is an additional benefit and does not affect your legal rights. Proof of purchase (your sales receipt) is required to make a claim on the warranty. Please attach your receipt to your warranty card.

Get more from your styling tools, visit
www.vssassoon.com.au
 for news, styling tips and much more.

Vidal Sassoon and related logos are trademarks of
 The Procter & Gamble Company used under licence by Conair
 ©2011 Conair Australia Pty Ltd
 Suites 20 and 21,
 7 Narabang Way, Belrose NSW 2085
 Customer Service Hotline (Australia): 1800 650 263
 Customer Service e-mail: aus_info@conair.com
 Conair New Zealand Ltd.,
 PO Box 251159, Pakuranga, Auckland, 1706, New Zealand
 Customer Service Hotline (New Zealand): 0800 266 247

IB-7/271B

VS
 SASSOON

VS
 SASSOON



instruction booklet
 International 2400 Dryer

VS9313A

LONDON • NEW YORK • SYDNEY
JOIN THE EVOLUTION.™