

# LENOXX

ES60



## SMART E-SCOOTER

36V 10.5Ah Folding Electric Scooter with Smartphone App



**Model:** ES60

**Batch:** PR4159

**PLEASE READ AND RETAIN THESE INSTRUCTIONS FOR FUTURE REFERENCE.**

The illustrations used in this manual are to illustrate the operation method and structure of the product. Where there is a small difference between the physical item and the illustrations, please take the physical as the standard.

**Note: Check local laws and regulations to see where and how you may use your electric scooter or ride on. Always wear a Helmet.**



### **Safety First!**

This section provides safety and warning statements that you should be aware of before you use our Electric Scooter.

#### **RISK OF DEATH OR SERIOUS INJURY**

Whenever you ride the Electric Scooter, you risk death or serious injury from loss of control, collisions, and falls. To reduce risk of injury, you must read and follow all instructions and warnings in the User Manual.

Always wear a helmet when riding. Use an approved bicycle or skateboard helmet that fits properly with the chin strap in place and provides protection for the back of your head.

Avoid obstacles and slippery surfaces that could result in a loss of balance or traction and cause a fall.

All Electric Scooter parts must be properly installed. Never attempt using your Electric Scooter without all parts properly installed, this could damage your Electric Scooter and result in serious injury from loss of control, collisions, and falls.

#### **WARNING!**

Do not modify the Electric Scooter. Modifications to the Electric Scooter without the prior written approval from the manufacturer could interfere with the operation of the Electric Scooter, could result in serious injury and/or damage, and could void the Lennox Electronics Australia Pty Ltd Warranty.

## **SAFETY AND WARNINGS:**

Riding an electric scooter can be a dangerous activity. Certain conditions may cause components to fail without fault of the manufacturer. The scooter can and is intended to move and it is therefore possible to lose control, fall off and/or get into dangerous situations that no amount of care, instruction or expertise can eliminate. If such a thing does occur you can become seriously injured or die, even when using safety equipment and other safety precautions.

**RIDE AT YOUR OWN RISK AND ALWAYS USE COMMON SENSE.**

This manual contains many warnings and cautions concerning the consequences of failing to inspect, maintain or properly use your electric scooter. Since any incident can result in serious injury or even death, we do not repeat the warning of possible serious injury or death each time such a possibility is mentioned in this manual.

## **APPROPRIATE RIDING ATTIRE**

Always wear proper protective equipment such as:

- Approved safety helmet. (Helmet may be legally required by local law or regulation in your area.)
- Elbow pads and knees pads
- Long sleeved shirt, long pants
- Gloves
- Lace up shoes with rubber soles, never ride barefooted or in sandals, and ensure that shoelaces are tied and kept out of the way of the wheels and drive system.

## **RIDER USE AND PARENTAL SUPERVISION**

**RIDER MUST NOT EXCEED THE WEIGHT LIMIT OF 120 KG.**

Rider weight does not always mean a person's size is appropriate to fit or maintain control of the scooter.

This manual contains extremely important safety information. It is your responsibility to completely review this information and make sure that all riders understand all warnings, cautions, instructions and safety topics and assure that all riders can safely and responsibly use this scooter. We advise that you periodically review and reinforce all information in this manual with all riders and that you inspect and maintain your scooter to ensure their safety.

The recommended rider age is 16 years and older. Any rider that is unable to fit comfortably on the scooter should never attempt to ride it. A parent's decision to allow their child to use scooter should be based on the child's maturity, skill and their ability to follow rules.

Do not touch the motor or brakes on the scooter when in use or directly after use as these parts can become extremely hot.

Keep this scooter away from small children and remember that it is intended for use only by persons who are, at a minimum, completely competent and comfortable while operating this product.

## **RIDING PRACTICES AND CONDITIONS**

Check and obey any local laws or regulations which may affect the locations where the electric scooter may be used.

Always ride defensively. Watch out for obstacles that could catch your wheel or force you to turn suddenly or lose control. Be careful to avoid pedestrians, other wheeled products (such as skaters, skateboards, scooters, bikes, etc.), children or animals who may enter your path. Always respect the rights and property of others.

Do not activate the speed control on the hand grip unless you are on the scooter and in a safe, outdoor environment that is suitable for riding.

Do not attempt or perform stunts or tricks on this electric scooter. This product is not made to withstand abuse from jumping, curb grinding or any other type of misuse or stunts.

Always maintain a hold with both hands on the handlebars.

Never allow more than one person at a time to ride the scooter.

Never use near steps, water, or swimming pools.

Never ride while using a mobile phone or while wearing headphones.

Keep your fingers and other body parts away from the belt, motor, steering system, wheels and all other moving components. Never ride while using a cell phone or wearing headphones.

Never hitch on to or with another vehicle or pull anyone or anything.

Never immerse the scooter in water; electrical and drive components could be damaged by water or create other possible unsafe conditions.

Ride only on flat, dry surfaces such as pavement or level ground without loose debris, such as sand, leaves, rocks or gravel. Water, mud, ice, bumpy, uneven, slick, or rough surfaces could impair traction and contribute to possible loss of control. Avoid excessive speeds that can occur from downhill rides which could cause loss of control.

Do not ride at night or in areas of limited visibility.

Do not ride in wet weather.

Do not ride near anything flammable or explosive.

NEVER use on public roads, hills, sloped driveways or near motor vehicles or swimming pools.

Do not ride indoors or on surfaces that could become damaged such as carpet or flooring.

Before each ride the following checks will need to be performed to the scooter:

- Ensure that the brake system is functioning properly.
- That all components are properly secured and are functioning according to manufacturer's specifications.

Components shall be maintained and repaired in accordance with the manufacturer's authorized replacement parts with installation performed by a qualified repair agent.

**FAILURE TO HEED TO THE WARNINGS LISTED ABOVE INCREASES RISK OF POTENTIAL SERIOUS INJURY. USE THE APPROPRIATE CAUTION WHEN RIDING AND ALWAYS WEAR PROTECTIVE GEAR.**

**GENERAL SAFETY INFORMATION:**

1. Do not submerge the scooter or it's charger in water or any other liquid.
2. Do not charge the scooter with a broken or damaged charger. Please call 1300 666 848 to order a replacement charger.
3. Any repairs to the scooter must be carried out by an authorised or qualified service centre/repairer.
4. The assembly of the scooter must be completed by an adult.
5. To avoid suffocation, keep all bags and small parts away from babies and children.
6. This scooter is not designed to be used by people (including children) with a physical, sensory or mental impairment, or people without knowledge or experience, unless they are supervised or given prior instructions concerning the use of the scooter by someone responsible for their safety. Children must be supervised to ensure that they do not play with the scooter.

**BATTERY AND CHARGER:**

Charge the battery fully before use.

The battery can be charged at any time to ensure that the battery has power.

Charge the battery once every three months to maintain its lifespan and charge level.

The lithium battery can be recharged at least 500 times.

**USING THE CHARGER**

The charger has a charging protection function; when the battery is 100% charged, the charger will automatically stop charging.

The first initial charge is 6 hours.

Each subsequent charge time is no more than 5 hours.

To charge the scooter, open the rubber charging hole protective cover.

Connect the charge connection into the charging hole.

Connect the chargers plug into a power point.

When the charger light is red the battery is charging.

When the charger light is green, the battery is fully charged.

The charger should be regularly examined for damage to the cord, plug, enclosure and other parts. In the event of such damage, if any is found, the scooter should not be charged until the charger has been repaired or replaced.

Use only with the supplied recommended charger. Always use caution when charging.

The charger is not a toy and should be operated by an adult. Never operate charger near flammable materials or liquids. Disconnect the charger and unplug from scooter when not in use. Do not exceed recommended charging time.

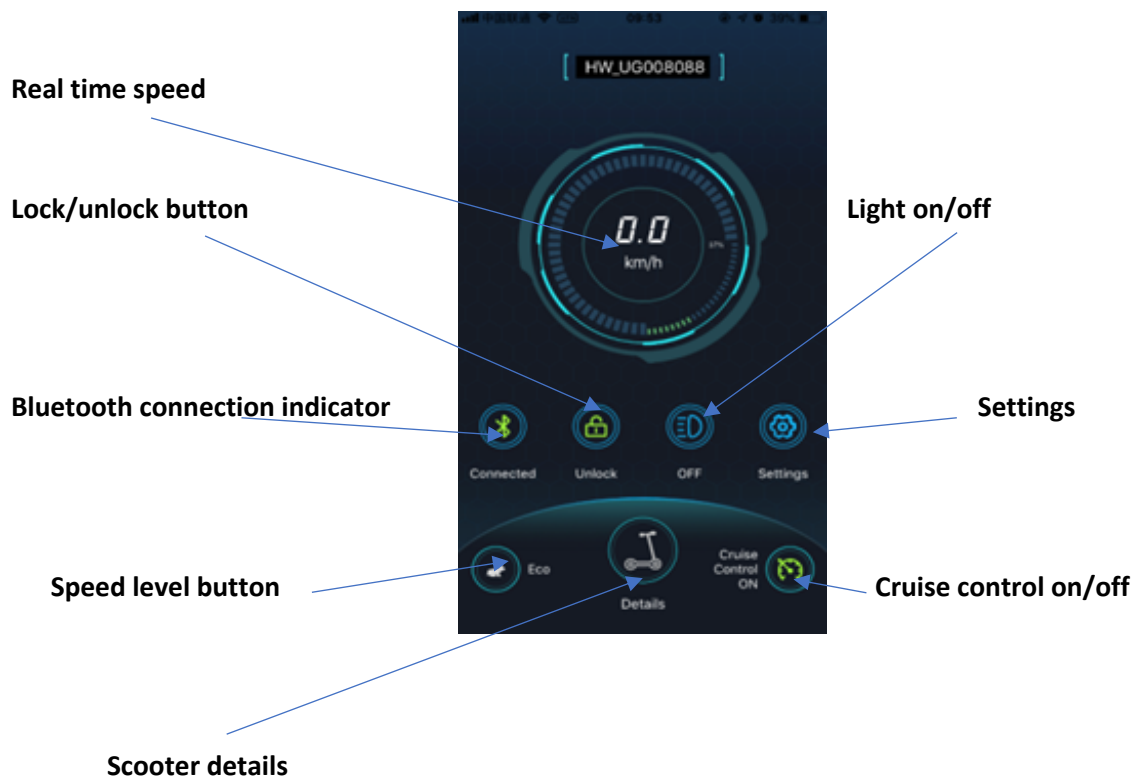
Always disconnect the charger from the scooter prior to wiping down cleaning.

## APP DOWNLOAD AND FUNCTIONS:



1. Search for the app aovopro in the APP store or google play. Download and install onto your smart device.
2. Ensure Bluetooth is turned on, on your smart device.
3. When the app is installed, press the on/off button for 1 second to turn on scooter.
4. Open the aovopro app.  
The scooter is automatically connected the app, then you can use the app to switch the light on or off, change speed, set up cruise control or lock scooter.
5. If you do not want to use the app, you can also use controls on the scooter to operate the scooter.

## **SCOOTER CONNECTED:**



**Real time speed** shows the current travel speed of the scooter

**Connected:** Press to connect/ disconnect the scooter with Bluetooth settings on your smart device

**Lock/Unlock:** Press to lock the scooter so it cannot be used, press it again to unlock the scooter so it can be used.

**Light on/off:** Press to turn the LED headlight on the scooter on or off.

**Settings:** Press to access the settings page where a range of settings can be adjusted. Press the arrow in the top left corner to exit out of the settings page and to use the scooter.

#### Riding mode:

Switch between 3 x convenient pre-set speed levels,

Eco: 15 km/h

Slow: 20 km/h

Sport: 25 km/h

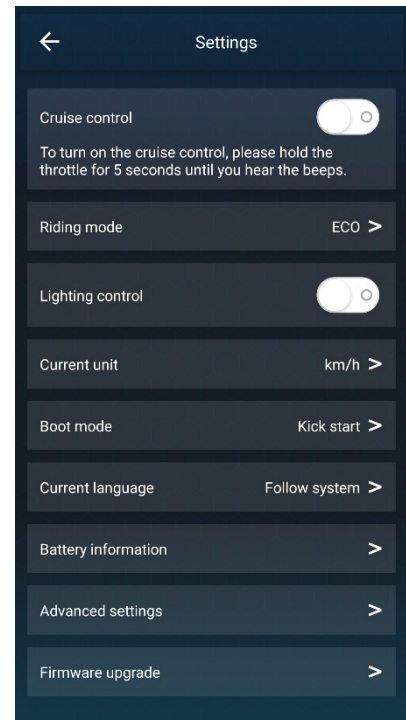
#### Boot mode:

Change between kick start or taxi mode.

**Kick start:** Use your foot to start gliding with the scooter, then adjust the speed using the speed lever.

If the speed lever is pressed while it is in kick start mode, the scooter will not ride.

**Taxi mode:** Use the speed lever to start the scooters ride.



#### **Advanced settings page:**

**Accelerated response:**

Adjust the sensitivity of the accelerator from level 1 up to level 10.

**Brake response:**

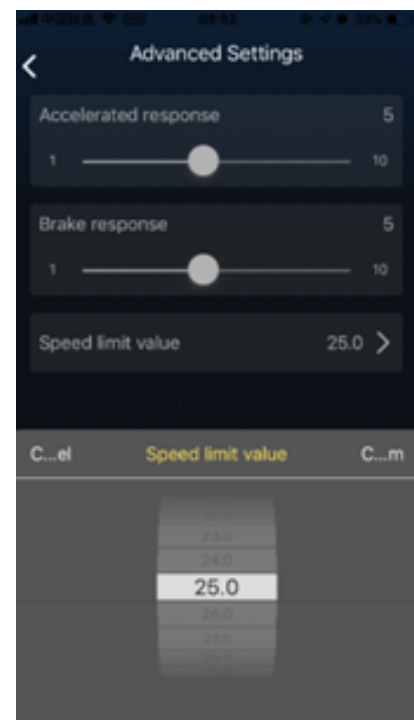
Adjust the sensitivity of the brake response from level 1 up to level 10.

**Speed limit value:**

The speed limit for the scooter can be set on the app for increased safety.

The speed limit can be set between 15 km/h - 30 km/h.

The default speed is 25 km/h.



**Speed mode button (on the main app page):**

Switch between 3 x convenient pre-set speed levels,

Eco: 15 km/h

Slow: 20 km/h

Sport: 25 km/h

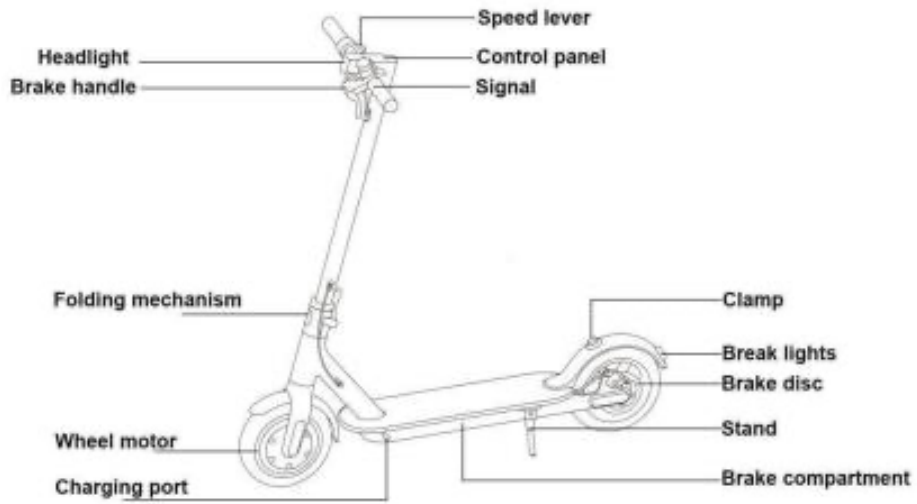
**Details page:** Press to access the details page to read more information about the scooter



**Cruise control on/off:** Press to turn the cruise control on or off



**PRODUCT STRUCTURE:**



Accessories:



Tire wrench



2 x screws



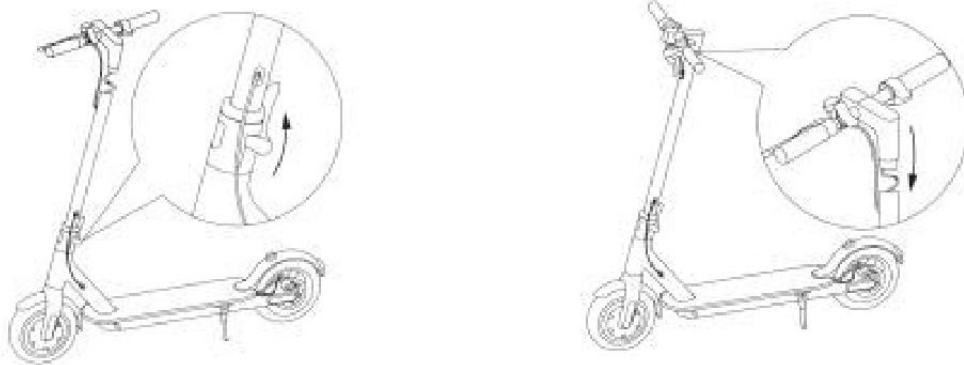
1 x hex wrench



charger

**ASSEMBLY:**

1. Connect the electric clips and fix the steering rod.
2. Set the handle bars vertical.
3. Open and lock the folding mechanism in place.



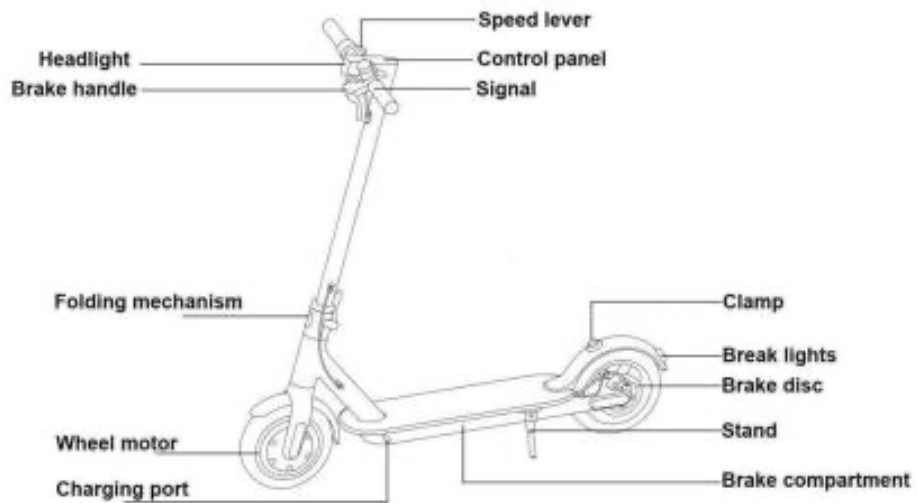
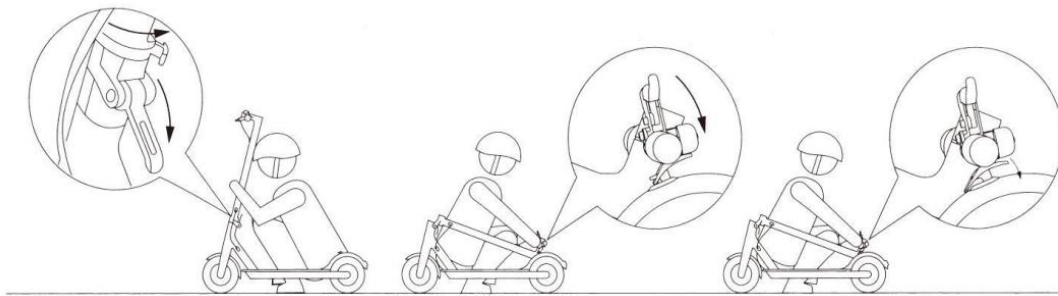
4. Using the included hex wrench and screws found in the accessories bag, tighten the screws on the handle bar. Remember to check and retighten every now and then.



5. Test turning the electric scooter on/off by holding down the power button for 3 seconds after assembly is complete.



## **FOLDING THE SCOOTER:**



1. Ensure the scooter is switched off.
2. Hold the front pole and lean it slightly forward, then loosen the lock lever on the folding mechanism and lower the handlebars backwards towards the rear of the scooter.
3. Locate the rubber clamp located on the rear located on the rear mud guard. The hook attached to the bell needs to latch on to the rubber clamp on the read mud guard.
4. When you are ready to ride the scooter again, release the hook from the rubber clamp and lift the front pole to the upright position and lock the lever on the folding mechanism.

## **OPERATION:**

### **Operation instructions:**

#### **a. ON/OFF**

Press and hold the power button for 3 seconds to turn the scooter on  
Press for 3 seconds if you want to turn it off.

The LCD screen will display the battery level and the real time speed.

Press the power button once to then the headlight on, press it again to turn the headlight off.

#### **b. Speed control**

Press the right speed lever to control the speed (1-25km/h).

The speed lever can only be used to increase speed.

If you need to slow the scooter down, use the brake handle or release the speed lever.

The max speed can be increased to 30 km/h by accessing the advanced settings in the app.

#### **c. Breaking Control**

Press the brake handle and the brake will operate.

The greater pressure you put; the greater breaking force will be.

#### **d. Signal**

Press the signal lever to sound the bell.

## RIDING OPERATION

The scooter's highest speed setting is 30 Km/H. This needs to be changed by using the advanced settings in the app.

For your safety, please limit the speed within 0 – 20 Km/H.

At night, it is recommended to limit the speed to 15 km/H or less and use the LED headlight.

Choose a suitable venue for riding.

### Start

1. Press the on/off button to turn on the power.
  2. Stand one foot on the scooter and leave another foot on the ground.
  3. Gently press down on the speed lever, the scooter will immediately move forward slowly. Place the foot which is on the ground on the scooter.
- With big finger of your right hand press the speed lever, the greater pressure you put, the faster it will go.

### Brake

Under normal circumstances, pressing the brake handle, the scooter will be immediately de-energized and then it will brake.  
The greater pressure you add, the greater breaking force will be.

### Cruise control

Using the app, ensure that cruise control is ON.  
You can set up the speed as you want during the ride, and the scooter will start moving on the same speed afterwards.  
Press the speed lever and keep the same speed for 8 seconds.  
The scooter will make a beep sound and the cruise control will automatically enter operation.  
You can stop cruise control by pressing on the speed lever once.

### Zero start

This function is for safety.  
In the app, change between kick start or taxi mode.

Kick start: Use your foot to start gliding with the scooter, then adjust the speed.

If the speed lever is pressed while it is in kick start mode, the scooter will not ride.

Taxi mode: Use the thumb accelerator to start the scooter's ride.

## **HARDWARE MAINTENANCE:**

### **Brake**

Check the brakes for proper function. When you squeeze the lever, the brake should provide positive braking action. When you apply the brake with the speed control on, the brake cut off switch should stop the motor. Make sure that the brakes are not rubbing.

### **Frame, Fork and Handlebars**

Check for cracks or broken connections. Although broken frames are rare, it is possible for aggressive rider to run into a curb or wall and bend or break a frame. Get in the habit of inspecting your scooter on a regular basis.

### **Battery**

Make sure the power switch is turned off whenever the scooter is not in use. Never store the product in freezing or below freezing temperatures! Freezing will permanently damage the battery.

### **Lubricating**

Please add a small amount of grease or lubricants to handle folded position every six months. Please check scooter every three months if the screws are loose it up.

### **Placement and daily care**

Do not expose the scooter under the sun or wet places for too long time. Please keep the scooter clean and dry. For cleaning use a damp cloth and mild detergent.

### **Charger**

Only use the supplied battery charger. If charger is damaged discontinue use immediately and replace with a Lennox recommended charger.

### **Wheels**

Wheels and drive system components are subject to normal wear and tear. It is the responsibility of the user to regularly inspect wheels for excess wear and adjust and replace drive train components as required.

### **Battery care and disposal**

Do not store the battery in temperatures above 21°C (70°F) or below 0°C (32°F).



# H

THIS SCOOTER CONTAINS SEALED LEAD ACID BATTERIES WHICH MUST BE RECYCLED IN ACCORDANCE TO YOUR LOCAL AND STATE LAWS. PLEASE CAREFULLY READ AND UNDERSTAND THE FOLLOWING DISPOSAL INSTRUCTIONS:

Disposal: This product contains sealed lead acid batteries which must be disposed or recycled in an environmentally safe manner. Do not dispose of the batteries in your household trash. Do not dispose of the batteries in a fire, this could cause the batteries to leak or explode. The incineration, disposal in landfill and or placing sealed lead acid batteries with household trash is prohibited by law in most areas. Return exhausted batteries to a state or federal approved lead acid battery recycler or check with your local retailer of vehicle batteries.

**WARNING: Do not mix old and new batteries. Do not mix alkaline, standard (carbon-zinc), or rechargeable (nickel-cadmium) batteries.**

## TROUBLESHOOTING:

Problem	Possible Cause	Solution
Scooter will not run	Battery is not charged	Fully charge the battery. First charge should be 6 hours and up to 5 hours for subsequent recharges.
	Wires or connectors are loose or unplugged	Check to ensure that charger is tightly plugged into both the wall and the scooter.
Scooter run time is short	Battery requires charging	Fully charge the battery. First charge should be 6 hours and up to 5 hours for recharges. Check to ensure that charger is tightly plugged into both the wall and the scooter.
	Battery will not accept full charge	Make sure power flow to the wall outlet is on.  Battery may need to be replaced. Even with proper care, rechargeable batteries do not last forever. The average rechargeable battery life is 1 to 2 years depending on scooter conditions and use. Replace only with Lennox recommended replacement batteries.
Scooter runs sluggishly	Scooter is overloaded	Make sure you do not overload the scooter by exceeding the 120 KG. Maximum weight limit, going up steep inclines.  Avoid overloading the scooter as this will prematurely wear out the batteries and componentry. Avoid overloading the scooter as this will prematurely wear out the batteries and componentry.
	Unsuitable riding conditions	Ride only on solid, flat, clean and dry surfaces such as pavement or level ground.

### GENERAL TROUBLESHOOTING

#### 1. LED display black screen

Reason: Exposure under the sun for too long.

Solution: Place it in shadow and it will return to normal after a period.

#### 2. No information on digital display

Reason: Bad battery contacts or the battery is dead.

Solution: Turn off the power then restart again, if the problem still occurs, please contact your local battery reseller.



### **CLEANING:**

Clean the scooter with a soft damp cloth. Do not use any wax or spray liquids for cleaning. It could erode the power switch.

Do not submerge scooter or charger into water or other liquid at any time

### **SPECIFICATIONS:**

Product Size: 107\*112\*43CM (unfold) /107\*43\*46CM (fold)

Product weight: 12.5 KG

App name: aovopro

Android minimum for the app: Android 7.0

iOS minimum for the app: ios11

Bluetooth minimum: 4.0

Battery: 36 V. 10.5Ah battery

Travel range: EW6 max distance: 30-35km.

Charger: 100-240V(Input)/42V(Output)/2A

Motor: 350W motor

8.5" Rubber solid tyre, no need to worry about air leakage. safe and convenient driving

Max speed: 30km/h, must be set on the app

Pre-set speed levels: 15KM/H,20KM/H,25KM/H, must be set on the app

Waterproof rating: IP65

Load capacity: 120 KG


### **Disclaimer:**

**The mentioned speeds and distance are based on factory conditions.**

**They may vary on a range of factors which include the weight of the rider, the speed of the ride and the incline of the ride.**


# **LENOXX**

[www.lenoxx.com.au](http://www.lenoxx.com.au)

 1300 666 848

 LenoxxElectronics

 LenoxxElectronics

 @LenoxxAustralia