

HELLER

USER MANUAL

Range Hood 900mm

Model Number: HRH900



READ AND SAVE THESE INSTRUCTIONS

TROUBLE SHOOTING GUIDE

Problem	Possible Reason	Solution
Hood doesn't turn on	No electrical supply.	Check the plug is connected.
	Power cord is damaged.	Check the main switch is turned on. Contact technician service.
Poor airflow	Aluminum grease filters clogged.	Clean the filters and replace when dry.
	Charcoal filters clogged. Re-circulating mode only.	Replace the charcoal filters.
Hood is vibrating	Hood is not secured in place.	Check the installation of hood. Tighten mounting screws.
Motor running but no air flow	Butterfly valve jammed.	Contact technician service.
Motor stops after a few minutes	High temperature safety device activated.	The kitchen is not sufficiently ventilated.
	The hood is installed too near the cooking surface.	The hood must be at least 61cm (24") from the stove.
Strong cooking smell	Fan speed too low.	Use one of the higher settings.
	Charcoal filters not installed.	In re-circulating mode, charcoal filters must be installed.
Oil dripping onto stove	Aluminum grease filter saturated.	Wash the aluminum grease filters.
Whirring sound	Something in contact with fan blade.	Contact technician service.
Lights are working but fan isn't		Contact technician service.
Fan is working but lights are not		Contact technician service.

SPECIFICATIONS

Model	HRH900
Description	Range Hood 900mm
Brand	Heller
Voltage	220-240Vac
Frequency	50/60Hz
Motor Wattage	220 Watts
Lights	2 x 2 LED Lamps
Length of Power Cord	1.5m
Air Outlet Diameter	150mm

CUSTOMER SERVICE

Australian Customer Service

GAF Control (Sales) Pty Ltd

P.O Box 19

Altona North Victoria 3025

Phone: 1300 659 489

Hours: 9am-5pm (EST) Mon-Fri

www.gafcontrol.com.au

*This product may vary slightly to the product illustrated due to ongoing product development.

BEFORE FIRST USE

Read and follow the instructions in this user manual even if you feel you are familiar with the product, and find a place to keep it handy for future reference.

For your convenience record the complete model number (located on the product identification plate) and the date you received the product, together with your purchase receipt and attach to the warranty and service information. Retain in the event that warranty service is required.

NOTE: The rating of this product (as marked on the product identification plate) is based on specific loading tests. Normal use or the use of other recommended attachments may draw significantly less power.

IMPORTANT SAFEGUARDS

When using any electrically powered product, basic safety precautions should always be followed, including the following:

PLEASE READ ALL INSTRUCTIONS CAREFULLY BEFORE INSTALLATION AND USING THIS PRODUCT

INTENDED FOR DOMESTIC KITCHEN USE ONLY

WARNING! - to reduce the risk of fire, electrical shock or injury to persons or property:

- Carefully read all instructions before operation and save them for future reference.
- Installation and electrical work must be done by a qualified person in accordance with all compliance codes and standards.
- Remove and safely discard any packaging material before using the appliance for the first time.
- To eliminate a choking hazard for young children, remove and discard the protective cover that is fitted to the power plug of the appliance.
- Do not leave the appliance unattended when in use.
- Always keep the appliance clean.
- Children should be supervised to ensure they do not play with the appliance.
- This appliance is not intended for use by persons (including children) with reduced physical, sensory or mental capabilities, or lack of experience or knowledge, unless they have been given supervision or instruction concerning use of the appliance by a person responsible for their safety.
- This appliance is for domestic household kitchen use only. Do not use this appliance for anything other than its intended use. Do not use in moving vehicles or boats. Do not use outdoors, barbecues, and other commercial applications. Misuse may cause injury and void warranty.
- It is recommended to regularly inspect the appliance. To avoid a hazard, do not use the appliance if the power cord, power plug or appliance becomes damaged in any way.
- Do not carry out flammable cooking under the appliance.
- The exhaust fan from the range hood must not be discharged into any heating flue, which may carry combustion products from other sources.
- Ensure the range hood is switched off and the power plug is removed from the power source, before carrying out maintenance. This avoids any possibility of an electric shock or hazard to person.
- Grease filters must be removed every 4 weeks (maximum) for cleaning to reduce the risk of fire.
- The range hood and its filters should be cleaned regularly for best performance. Excessive grease will impede airflow and may cause the motor to overheat and burn.
- There must be permanent and adequate ventilation of the room when operating the range hood with appliances burning gas or other fuels.
- Always cover lit gas burners with pots or pans when range hood is in use.
- Always switch off gas burners before you remove pots or pans.
- Do not cook with an open flame under the range hood.
- Plug must be accessible after installation.
- Always operate the appliance from a power source of the same voltage, frequency and rating as indicated on the product identification plate.
- If the supply cord is damaged, it must be replaced by the manufacturer, its service agent or a similarly qualified person to avoid a hazard. Any modifications that may be required to the electrical system for the installation of the range hood must only be made by qualified electricians.

- Before servicing or cleaning unit, switch off the unit and remove the plug from the power source.
- Use this unit only in the manner intended by the manufacturer.
- Sufficient air is needed for combustion and exhausting of gases through the chimney of fuel burning equipment to prevent back drafting. Follow the heating equipment manufacturer's guidelines and safety standards, and the local code authorities.
- When cutting or drilling into wall or ceiling, be carefully not to damage existing electrical wiring and other hidden utilities.
- Ducted fans must always be vented to the outdoors.
- Building regulations concerning the discharge of exhaust air has to be fulfilled.
- It is prohibited to fit the range hood over a solid fuel stove.
- This appliance must not be connected to a chimney or vent flue which is in use.
- This appliance is not be vented into the roof cavity, must exit into open air.
- Exhaust air must not be discharged into a wall cavity, unless the cavity is designed for the purpose.
- This appliance should not be connected to ducting which ventilates rooms with fire places.
- Attention should be given to ensure that any applicable regulations concerning discharge of exhaust air are fulfilled.
- This appliance should be installed and maintained by a suitably qualified and competent person in accordance with the relevant safety regulations.
- For any technical issues ensure that a suitably qualified person does any repairs or inspection.
- Any modifications to the appliance, electric wire and plug are dangerous and void this warranty.

WARNING! - to reduce the risk of a range top grease fire:

- Never leave surface units unattended at high settings. Boil-overs cause smoke and greasy spillovers that may ignite. Heat oils slowly on low or medium settings.
- Always turn hood ON when cooking at high heat.
- Clean ventilating fans frequently. Grease should not be allowed to accumulate on fan or filter.
- Use proper pan size. Always use cookware appropriate for the size of the surface element.



To reduce the risk of injury to persons in the event of a range top grease fire, observe the following:

- Smother flames with a close – fitting lid, cookie sheet or metal tray, and then turn off the burner. If the flames do not go out immediately, evacuate and call the fire department.
- Do not pick up a flaming pan. This will avoid hazards, injuries and burns.
- Do not use water, including wet dishcloths or towels; a violent steam explosion will result.
- Use an extinguisher ONLY if:
 - o You know you have a Class ABC extinguisher and you already know how to operate it.
 - o The fire is small and contained in the area where it started. The fire department is being called.
 - o You can fight the fire with your back to an exit.

CAUTION:

- To reduce the risk of fire and to properly exhaust air, be sure to duct air outside. Do not vent exhaust air into spaces within walls or ceiling or into attics, crawl spaces or garages.
- Take care when using cleaning agents or detergents.
- Avoid using food products that produce flames under the range hood.
- The range hood must only be used for the exhaust of cooking fumes in home kitchens. The manufacturer disclaims all liability for any other use of the appliance.
- Two installers are recommended because of the large size and weight of this hood.
- Use with approved cord-connection kit only.
- Please read specification label on product for further information requirements.

NOTE:

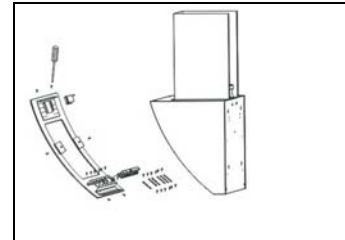
- DO NOT let dirt build up on the hood
- DO NOT use steel wool or steel brushes to clean the hood
- DO NOT leave salt solutions, disinfectants, bleaches or cleaning compounds on the hood for any length of time as they may damage the stainless steel. Rinse after use with clean water and wipe dry with a clean cloth.

Replacing the LED (2W) Lamp:

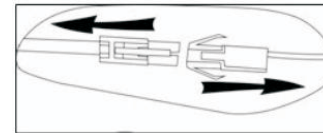
WARNING:

Do not touch or change light bulbs while the hood is operating. Wait until the bulb has cooled before removing.

1. Keep the window open.
2. Unplug the appliance.
3. Take down the cover glass and loose screws.
4. Find the bulb that needs to be replaced, pat it down.



5. Disconnect the wire connector which is located within the hood (behind grease mesh filter).



6. Replace the bulb.

General:

Regular maintenance is required to ensure that the range hood functions properly. This is especially true of the grease and charcoal filters.

Avoid leaving alkaline or acid substances (lemon, juice, vinegar etc.) on the surfaces.

Clean the fan and other surfaces of the cooker hood regularly with a cloth dipped in denatured alcohol or a non-abrasive liquid cleaner.

The charcoal filter cleans the circulating air in the room. Such filters cannot be cleaned or recycled and must be replaced at least every 4 months. The speed at which the charcoal filter becomes saturated depends on how often the fan is used, the type of food that is cooked and how often the grease filter is cleaned.

To prevent the risk of fire and to ensure that the range hood functions properly, the grease must always be cleaned as instructed below when the display indicates the need or at least every 2 months.

Stainless Steel:

The stainless steel must be cleaned regularly (e.g. weekly) to ensure long life expectancy.

Dry with a clean soft cloth. A specialized stainless steel cleaning fluid may be used.

NOTE:

Ensure that wiping is done along with the grain of the stainless steel to prevent any unsightly crisscross scratching patterns from appearing.

Control Panel Surface:

The inlay control panel can be cleaned using warm soapy water. Ensure the cloth is clean and well wrung before cleaning. Use a dry soft cloth to remove any excess moisture left after cleaning.

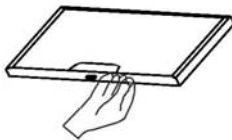
IMPORTANT:

Avoid using harsh cleaning chemicals, strong household detergents or products containing abrasive as this will affect the appliance appearance and potentially remove any printing of artwork on the control panel, and will void manufacturer's warranty.

Cleaning the Baffle Filter:

Remove the filter from the range hood and clean it in a solution of water and neutral cleaning liquid. Leave the filter to soak in the solution for a while.

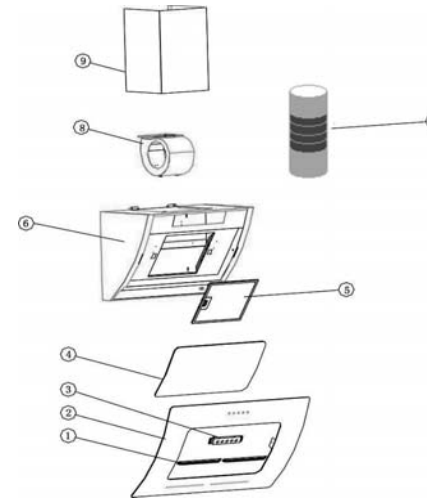
- **By hand:** Soak in warm water and a neutral washing up liquid. For stubborn grease stains use a soft nylon brush or sponge to help remove these stains. (Leave to dry naturally out of direct sun light).
- **In a dishwasher:** Ensure that placement of the filters is made so as to not impede the function of the spray arm. Washing the filters in a dishwasher may cause discoloration of the aluminum inner mesh over time although it will not affect their performance. Filters should be washed separately to crockery and kitchen utensils. It is advisable not to use rinse aid.



NOTE:

If you clean the baffle filter in the dishwasher: load only the baffle filter and no other items as food particles from dishes can fasten in the filter.

PRODUCT'S PARTS & FEATURES



Accessories bag		
Description	Picture	QTY
Hood mount bracket		1
Dry wall anchors plugs(M6)		4
Dry wall anchors plugs(M10)		3
Screw(STM5*10)		2
Screw(ST3.9x10mm)		4
Screw(ST3.9x23mm)		4
Screw(ST4.9x45mm)		3

1. Strip LED lamp
2. Big tempered glass
3. Touch switch
4. Panel glass

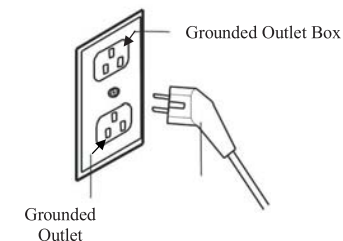
5. Baffle filter
6. Main body
7. Plastic Pipe
8. Motor box
9. Chimney

INSTALLATION INSTRUCTION

Read and follow the instructions in this user manual even if you feel you are familiar with the product, and find a place to keep it handy for future reference.

The range hood conforms to related appliance standards. Please check your local building codes for any additional requirements.

The appliance has been manufactured as Class I, therefore earth connection is necessary. The range hood must be installed so that the plug is easily accessible.



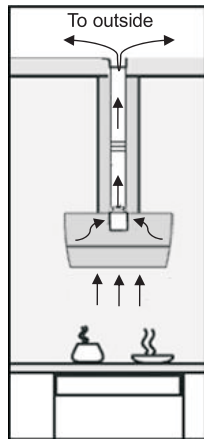
UNPACKING

Remove the packaging with the product in place. Cut off the packaging ribbons and carefully cut open the packaging (do not cut too deeply), and remove the packaging. Check that the product is free from transport damage. Any damage shall be reported immediately to the carrier or seller. Damage, faults and missing parts must be reported immediately to seller.

OPERATION MODE

Your range hood can be operated in two optional modes, choose the mode suitable for your kitchen before installation.

Air Extraction

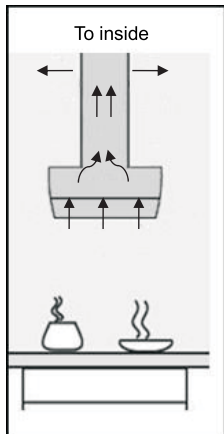


For air extraction mode:

A ducting kit is required, the air is drawn in and cleaned by the grease filters and directed outside.

Ducting must be vented to outside atmosphere.

Air Recirculation



For air recirculation mode:

Charcoal filter is a must to eliminate cooking smells.

The air is drawn in and cleaned first by the grease filters and then charcoal filter. The cleaned air is then re-circulated back into kitchen through grilles on the upper decorative chimney.

- The anti-grease filters capture the grease particles suspended in the air. They will accumulate grease and dirt depending on the frequency of the use of your range hood/ cook top.
- In order to prevent a fire hazard, it is recommended that you clean the aluminum filter at least every 2 months.

WARNINGS:

- Do not attempt to remove the filters while the range hood is operating.
- Disconnect the electrical plug prior to any maintenance.
- This appliance is not intended for use by young children or infirm persons without supervision.
- There should be adequate ventilation in the room when the Range Hood is used at the same time as fuel burning appliances.



Electric Control Panel's Buttons:

- A. On/off button
- B. Light On indicator
- C. Fan low speed indication
- D. Fan mid speed indication
- E. Fan high speed indication

Electronic Control Panel:

A

B

C

D

E

1. Touch **Button A** to turn on the hood, then touch any button and the panel glass will automatically open. Touch the **Button A** again and touch any button, the panel glass will automatically close. If motor working condition, touch **Button A** for three seconds. This is the setting for delay function, to delay 1 minute to turn off the hood.
2. Touch **Button B**, and the two lighting lamps will illuminate. Touch it again and the lamps will turn off.
3. Touch **Button C**, the motor runs at low speed with the door opening. Touch it again; the motor will stop with the door closing.
4. Touch **Button D**, the motor runs at mid speed with the door opening. Touch it again; the motor will stop with the door closing.
5. Touch **Button E**, the motor runs at high speed with the door opening. Touch it again; the motor will stop with the door closing.

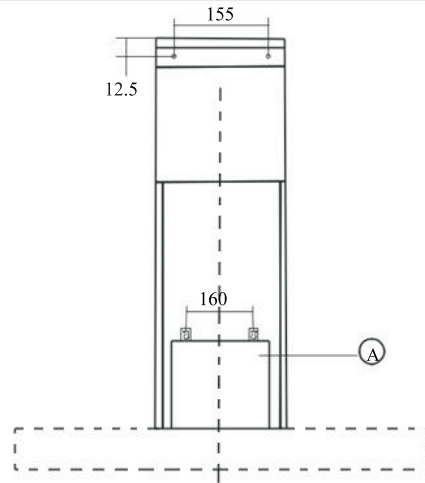
MAINTENANCE & CLEANING

CAUTION:

- Before maintenance or cleaning is carried out, allow the range hood to cool down first and disconnect from the main power supply. Ensure that the range hood is switched off at the wall socket and the plug removed.
- External surfaces are susceptible to scratches and abrasions, so please follow the cleaning instructions to ensure the best possible result is achieved without damage.

FIXING TO THE WALL

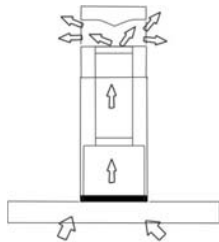
1. Before mounting the hood, plug in and test all functions for proper operation.
2. Remove the filters from the bottom of the hood to prevent damage during installation.
3. With assistance, hold the hood temporary in position ensuring the bottom is above the minimum clearance for the cooking surface. Mark on the wall the holes for the two mounting screws.
4. Drill the holes (A) at the distances indicated. Use the appropriate screws and screw anchors for your wall type (e.g. reinforced concrete, drywall, etc). If necessary prepare back wall with cross framing for secure installation.
5. Mount the hood on the wall screws. Align it in a horizontal position relative to cabinets. When the hood has just been adjusted, secure unit by tightening screws (A).
6. Connect a 6" duct tube (not included) to the exhaust piece using duct tape on all seals (C).



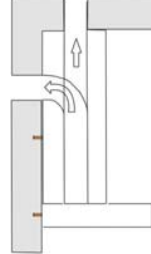
INSTALLATION ALTERNATIVES

The range hood can be installed in the following ways:

A. Circulating indoor air



B. Outdoor venting



REMEMBER:

- The distance from the top of the hob and the lowest part of the range hood must be at least 75cm.
- If a two-part connection tube is used, the lower section must sit outside the upper section.
- Do not connect the range hood exhaust to a duct used to circulate hot air or vent steam from another appliance.
- Always use protective gloves when installing the appliance.

START USING YOUR RANGE HOOD

- For optimum performance in removing cooking odors; it is recommended that you turn on your range hood prior to cooking, and you leave it operating for 15 minutes after cooking.
- Clean the surfaces of the range hood regularly using a non-abrasive detergent.

PLANNING YOUR INSTALLATION

WARNING: Check that the installation complies with the standards of local building, gas and electrical authorities. Before connecting to the mains supply, ensure the mains voltage corresponds to the voltage on the appliance rating plate inside the range hood.

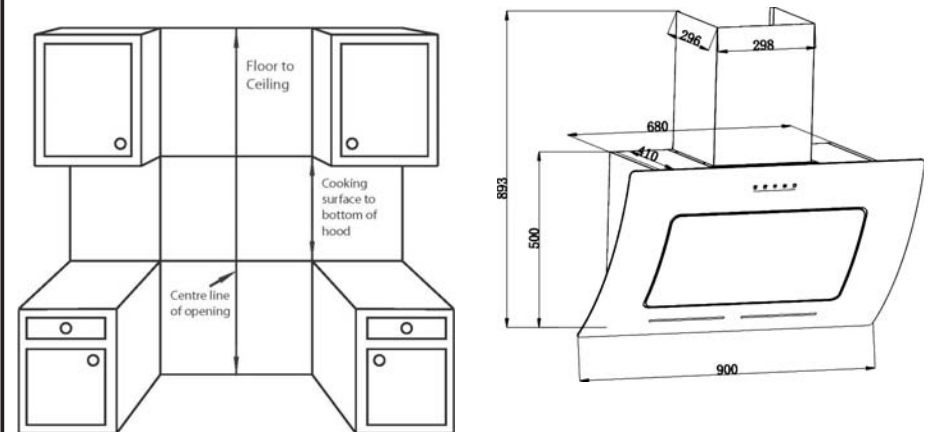
When installing the range hood, make sure you adhere to the minimum and maximum distances from the range hood base to the cook top surface.

HINTS FOR EXHAUST DUCT INSTALLATION:

The following rules must be strictly followed to obtain optimal air extraction:

- Keep exhaust duct short and straight
- Do not reduce the size or restrict exhaust duct
- When using flexible duct, always install the duct pulled taut to minimize pressure loss
- Failure to observe these basic instructions will reduce the performance and increase noise levels of the range hood

Ensure the exhaust ducting selected for installation complies with relevant standards and is fire retardant.



1. Measure the floor to ceiling height. This hood can be installed on walls between 8" and 9" tall.
2. Find the centre point of your opening. Mark a plumb line through this point from ceiling to your range hood.
3. Check your range hood User manual for the minimum distance above your cooking surface. The range hood should be mounted at a distance of 750mm from the cooking surface for safety & optimum performance (if the instructions for installation of the gas hob specify a greater distance, this has to be taken into account). (See Figure A). The minimum distance between any element of flame height and the nearest combustible surface is 750mm. That exhaust air must not be discharged into a flue which is used for exhausting flumes from other appliances burning gas or other fuels.
4. Using a spirit level, mark a vertical line on the wall (Central to the cook top installed below) to indicate the centre location of the hood and a horizontal line where the hood base will be positioned. Drill holes as per below drawing and insert dry wall anchor plugs into holes.

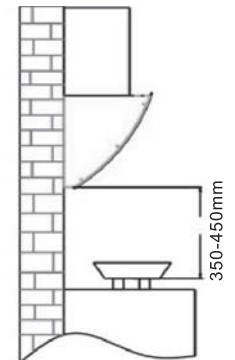
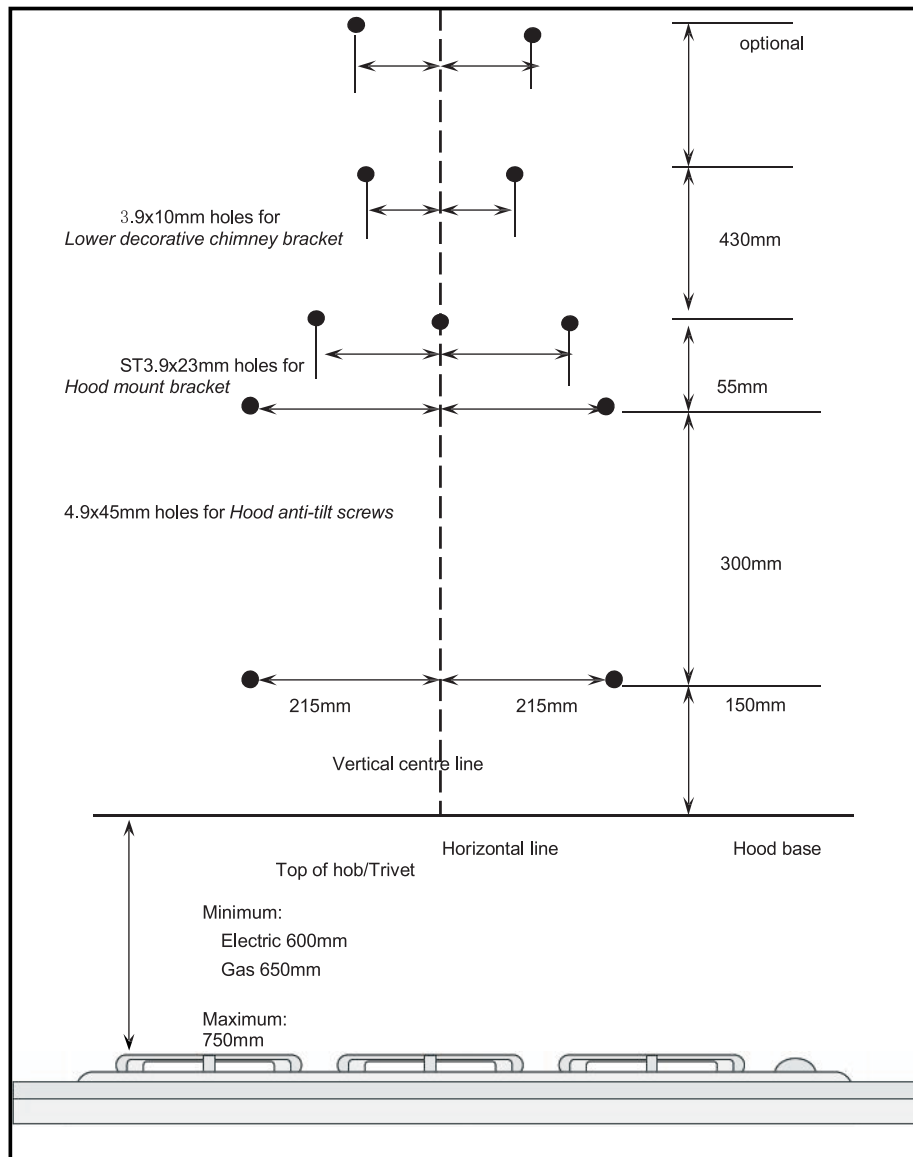
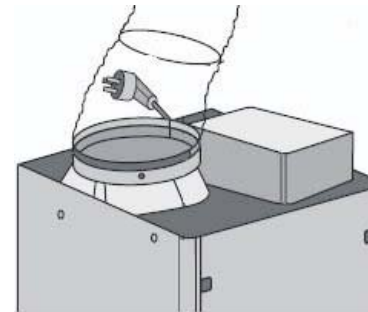


Figure A

NOTE: The distance from the horizontal line to an electrical cook top underneath must be minimum of 600mm & 650mm Free Space to the gas cook top and a maximum height of 750mm. (Refer to table below).

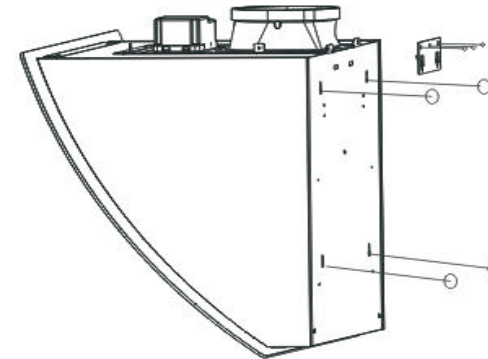


5. Fit the flexible exhaust pipe onto outlet.



Note: If choosing the air extraction mode, please install the flexible exhaust pipe; if choose air recirculation mode, no need to install the flexible exhaust pipe, please skip this step and jump to step 6 directly.

- secure the hood mount bracket onto wall with 3 x ST4.9x45mm screws, making sure screws are securely tightened.
7. Hang on the hood onto the hook of the hood mount bracket; make sure the mount slot on cooker hood completely slide into hooks.



8. Fasten the 4pcs anti-tilt ST3.9x23mm screws onto wall to ensure horizontality of cooker hood. You can find out screw holes inside hood near the motor chamber.
9. Decide where the ductwork will run between the hood and the outside. Short, straight duct runs will provide the most air flow.

NOTE: Do not connect to a common vent with other appliances such as gas heater, water heater, laundry dryer, etc.

10. The duct should not be bent more than $\geq 120^\circ$ from the one way valve outlet to the kitchen vent.
11. Check to make sure that the electric chord is not in contact with sharp edges of the appliance.
12. Be sure that the plug is accessible after installation.

INSTALLING THE DUCTWORK

- Plan where the ductwork will run between the hood and the outside. The hoods exhaust vertically but can be ducted to the rear behind the chimney duct through an outside wall or vertically up through the ceiling to the roof. A short straight duct will run produce the most air flow. Length and elbows will reduce the efficiency of the blower.
- Install a roof or wall cap. Connect a 6" round metal duct to the cap and work backwards toward the hood. Ensure joints are completely sealed with duct tape.
- Exhaust air must not be discharged into a flue which is ducted outside.