

KAMBROOK®



INSTRUCTION BOOKLET

Suits all KFP655 models

Important

Please retain your instruction book for future use.

In the event that you need some assistance with your Kambrook appliance, please contact our Customer Service Department on 1300 139 798 (Australia) or 0800 2738 45 (New Zealand). Alternatively, visit us on our website at www.kambrook.com.au or www.kambrook.co.nz

Contents

Kambrook Recommends Safety First	p4
Components	p8
Using Your Food Processor	p10
Blade Guide	p14
Care, Cleaning & Storage	p16

Kambrook Recommends Safety First

IMPORTANT: READ ALL INSTRUCTIONS BEFORE USE AND SAVE FOR FUTURE REFERENCE

At Kambrook, we are very safety conscious. We design and manufacture consumer products with the safety of you, our valued customer, foremost in mind. In addition, we ask that you exercise a degree of care when using any electrical appliance and adhere to the following precautions.

Important Safeguards For Your Kambrook Food Processor

- Carefully read all instructions before operating the food processor for the first time and save for future reference.
- Remove and safely discard any packaging material and promotional labels before using the food processor for the first time.
- To eliminate a choking hazard for young children, remove and safely discard the protective cover fitted to the power plug of the food processor.
- Do not place the food processor near the edge of a bench or table during operation. Ensure the surface is level, clean and free of water and other substances.
- Do not use the food processor on a sink drain board.
- Do not place the food processor on or near a hot gas or electric burner, or where it could touch a heated oven.
- Handle the food processor and attachments with care – remember the S-blade and reversible disc are razor-sharp and should be kept out of the reach of children.
- Only handle the reversible disc using the two finger holes provided in the disc to avoid contact with sharp blades.
- Always ensure the food processor is completely assembled before operating.

The food processor will not operate unless properly assembled and the lid locked into place.

- Ensure the control button is in the 'OFF' position and the food processor is switched off at the power outlet and the power cord is unplugged before attaching the chopping S-blade, reversible disc or processing bowl lid.
- Always secure the processing bowl onto the motor base before attaching the chopping S-blade or reversible disc.
- Ensure the processing bowl lid is securely locked in place before attempting to operate.
- Do not remove the processing bowl from the motor base while in operation.
- Do not push food into the feed chute with your fingers or other utensils. Always use the food pushers provided.
- Keep fingers, hands, knives and other utensils away from moving S-blade and/or reversible disc.
- Do not place hands or fingers into the processing bowl of the food processor unless the motor, chopping S-blade and reversible disc have come to a complete stop. Ensure the control button is in the 'OFF' position and the food processor is switched off at the power outlet and the power cord is unplugged before removing the lid from the food processing bowl.
- Ensure the motor and chopping S-blade or reversible disc have completely stopped before

disassembling. Ensure the control button is in the 'OFF' position and the food processor is switched off at the power outlet and the power cord is unplugged from the power outlet before attempting to move the food processor, when not in use, if left unattended and before disassembling, cleaning or storing.

- Do not use attachments other than those provided with the food processor.
- Do not attempt to operate the food processor by any method other than those described in this book.
- Care should be taken when removing the food from the processing bowl by ensuring the motor and the chopping S-blade or reversible disc have completely stopped. Ensure the control button is in the 'OFF' position, the food processor is switched off at the power outlet and unplugged, before removing the lid from the bowl. The processing bowl should then be unlocked from the motor body and the S-blade or reversible disc carefully removed before attempting to remove any food items.
- Do not process a dry, thick or heavy mixture for more than 45 seconds without turning the food processor off and stirring the ingredients before continuing.
- If the food processor is operated continuously for too long, it should be allowed to rest for 25–30 minutes before recommencing.

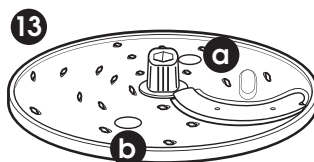
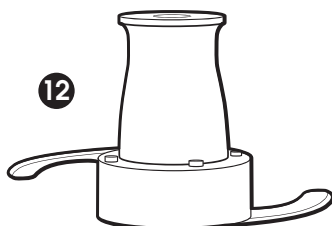
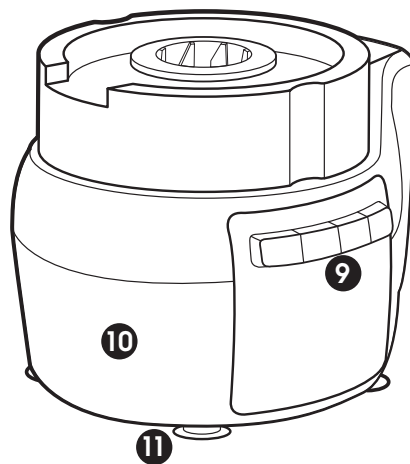
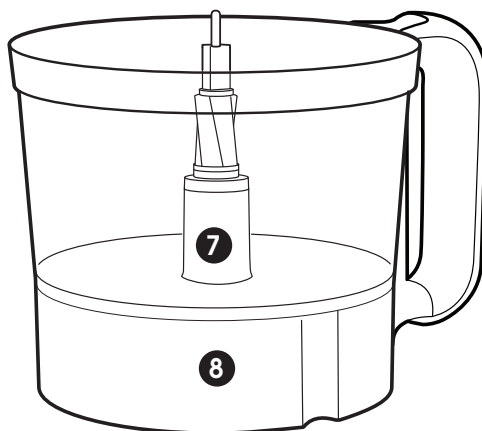
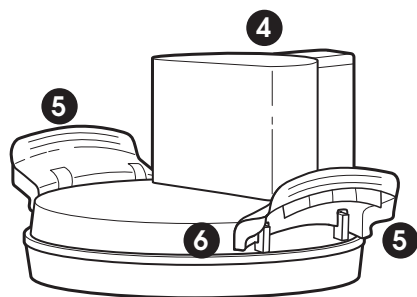
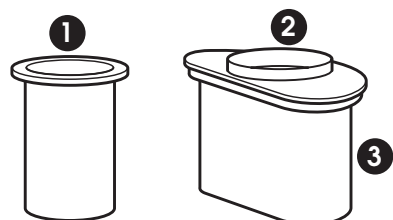
- Do not process hot or boiling liquids – allow liquids to cool before placing into the processing bowl.
- Do not move the food processor while in operation.
- Do not leave the food processor unattended when in use.
- Do not place any part of the food processor in a microwave oven.
- Do not process thin fluids such as water, milk, stock, juice, etc., above the MAX LIQUID FILL level marked on the processing bowl as this could result in overflow. To reduce the risk of overflow, always add drier or thicker ingredients to the processing bowl prior to adding fluids.
- Do not place anything on top of the food processor when the lid is on, when in use and when stored.
- Keep the food processor clean. Follow the Care, Cleaning & Storage instructions provided in this book.

Important Safeguards For All Electrical Appliances

- Fully unwind the power cord before use.
- Connect only to 230V or 240V power outlet.
- Do not let the power cord hang over the edge of a bench or table, touch hot surfaces or become knotted.
- To protect against electric shock, do not immerse the power cord, power plug or appliance in water or any other liquid, unless it is recommended in the cleaning instructions.
- The appliance is not intended for use by persons (including children) with reduced physical, sensory or mental capabilities, or lack of experience and knowledge, unless they have been given supervision or instruction concerning use of the appliance, by a person responsible for their safety.
- Children should be supervised to ensure that they do not play with the appliance.
- It is recommended to inspect the appliance regularly. Do not use the appliance if the power supply cord, plug, connector or appliance becomes damaged in anyway. Return the entire appliance to the nearest authorised Kambrook Service Centre for examination and/or repair.

- Any maintenance other than cleaning should be performed at an authorised Kambrook Service Centre.
- This appliance is for household use only. Do not use this appliance for other than its intended use. Do not use in moving vehicles or on boats. Do not use outdoors. **Misuse may cause injury.**
- The installation of a residual current device (safety switch) is recommended to provide additional safety protection when using electrical appliances. It is advisable that a safety switch with a rated residual operating current not exceeding 30mA be installed in the electrical circuit supplying the appliance. See your electrician for professional advice.
- During electrical storms, the appliance should be disconnected from the power source at the wall socket to prevent any electrical surges that may arise during the storm and which may inadvertently cause damage to the appliance and its electronic componentry.
- Always turn the appliance to the OFF position, switch off at the power outlet and unplug at the power outlet when the appliance is not in use.
- Before cleaning, always turn the appliance to the OFF position, switch off at the power outlet, unplug at the power outlet and remove the power cord, if detachable, from the appliance and allow all parts to cool.
- Do not place this appliance on or near a heat source, such as hot plate, oven or heaters.
- Position the appliance at a minimum distance of 20cm away from walls, curtains and other heat or steam sensitive materials and provide adequate space above and on all sides for air circulation.

Components



Components

1. Small food pusher

Used to push smaller food items down the small feed chute or, when combined with the large food pusher, to push larger sized food down the large feed chute.

2. Small 5cm feed chute

Sits inside the large feed chute and best for medium and smaller sized food.

3. Large food pusher

Used to push large sized food down the large feed chute.

4. Large 12cm feed chute

Fixed to the processing bowl lid and best for processing larger food items.

5. Lid clips

To seal and lock the lid to the processing bowl.

6. Processing bowl lid

7. Non-removable spindle

8. 1.8L processing bowl

9. Control panel

10. Motor base

11. Suction feet

12. Chopping S-blade

Use to coarsely chop, mince, mix or puree food.

13. Reversible slicing/shredding disc

Use to shred or slice a variety of foods.

a & b Finger/Thumb holes for handling.

Not Shown

Power cord and internal cord storage compartment.

Using Your Food Processor

BEFORE FIRST USE

Before first use, remove and safely discard any labels. Ensure that you have all parts and accessories listed in the components list before discarding the packaging.

WARNING

The chopping S-blade and reversible slicing/shredding disc must be handled carefully as they are sharp!

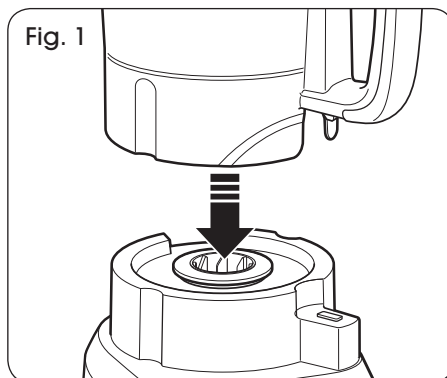
Wash the processing bowl, processing bowl lid, small feed chute, food pushers, chopping S-blade and reversible slicing/shredding disc in warm, soapy water, then dry thoroughly. Wipe the motor base with a damp cloth and dry thoroughly.

WARNING

Do not immerse the motor body in any liquids.

Assembling the Processing Bowl

1. Place the motor base on a flat, dry surface such as a bench top. Ensure that the motor base is turned off at the power outlet and the power cord is unplugged.
2. Place the food processing bowl onto the motor base, making sure to align the front and back grooves on the processing bowl, with the front and back grooves found on the motor base. (Fig 1.) The bowl should slide down onto the base easily and securely.



Using Your Food Processor

Using the Chopping S-Blade

NOTE

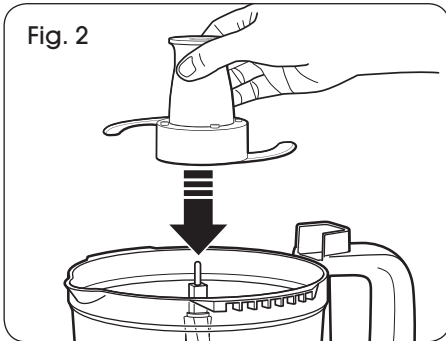
Always ensure no buttons on the food processor are pressed in and the power outlet is turned off and unplugged before assembling the processor or inserting the S-blade or reversible disc.

1. With the processing bowl secured onto the motor base, carefully slide the chopping S-blade down onto the non-removable spindle located in the centre of the processing bowl. (Fig. 2)

WARNING

The chopping S-blade is sharp! Handle with care.

Fig. 2

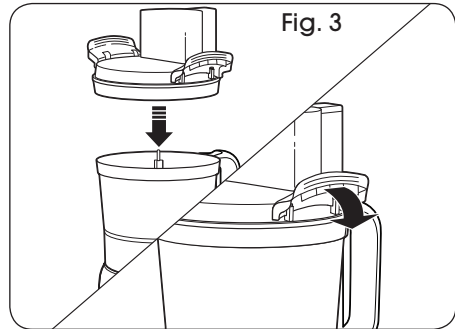


2. Place food into the processing bowl, ensuring it is cut to size (refer to the Blade Guide). Align the lid clips on the processing bowl lid over the grooves found on the processing bowl. Snap the lid clips down to lock onto the bowl. (Fig. 3)

NOTE

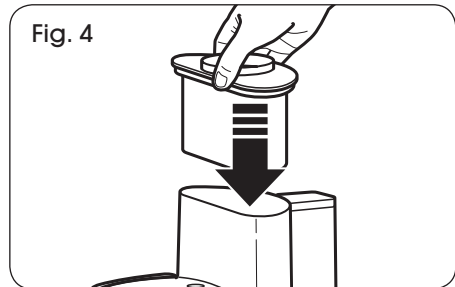
The food processor will not operate unless the lid clips are locked securely on the processing bowl.

Fig. 3



3. Insert the power plug into a 230V or 240V power outlet. Switch the power on at the power outlet.
4. With the processing bowl lid locked onto the processing bowl, place the large food pusher into the large feed chute. (Fig. 4)

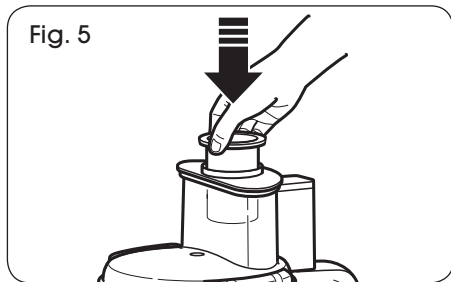
Fig. 4



Using Your Food Processor

5. Place the small food pusher into the small feed chute. (Fig. 5)

Fig. 5



6. Press the desired speed setting button on the control panel to begin processing. Choose between LOW, HIGH and PULSE.

NOTE

Ingredients can be added through the feed chute using the food pushers while processing.

7. Once finished, press the 'OFF' button to stop processing. Switch the power off at the power outlet and unplug the food processor from the power outlet.
8. Unfasten the lid clips on the food processing bowl lid and remove the lid from the food processing bowl.
9. Carefully remove the S-blade from the processing bowl.
10. Lift the bowl off the motor base using the handle and remove processed food.

Using the Reversible Slicing/Shredding Disc

NOTE

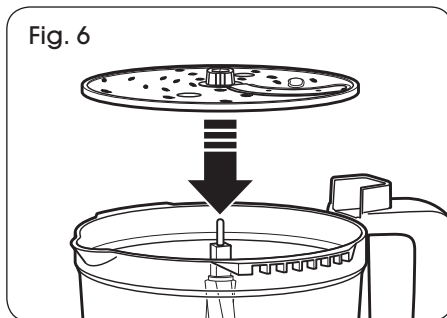
Make sure to remove the S-blade from the processing bowl when using the reversible disc for processing.

NOTE

Handle the reversible disc using the two finger holes provided to avoid contact with sharp blades.

1. With the processing bowl secured onto the motor base and the S-blade removed, carefully place the reversible slicing/shredding disc onto the non-removable spindle. (Fig. 6) Ensure the desired side of the reversible slicing/shredding disc is facing up. For example, to use 'SLICE', make sure the disc side that has 'SLICE' printed on it is facing upwards. The reversible slicing/shredding disc will sit at the top of the spindle near the top of the processing bowl.

Fig. 6



Using Your Food Processor

2. Lock the lid on to the processing bowl with the lid clips.

NOTE

The food processor will not operate unless the lid clips are locked securely on the processing bowl.

3. Prepare the food to fit through one of the 2 chutes provided (large or small), depending on the desired cut and food (refer to the Blade Guide).
4. Insert the power plug into a 230V or 240V power outlet. Switch the power on at the power outlet.
5. If using the large chute, fill the large chute with the cut food and use the large food pusher with the small food pusher assembled to push food down the large chute.
6. If using the small chute, with the large food pusher inserted into the large chute, fill the small chute with the cut food and use the small food pusher to push food down the small chute.
7. Press the desired speed setting button to begin processing while pushing food down the feed chute of choice.
8. Once finished, press the 'OFF' button to stop processing. Switch the power off at the power outlet and unplug the food processor from the power outlet.

9. Unfasten the lid clips and remove the lid from the food processing bowl. Remove the reversible slicing/shredding disc.
10. Lift the processing bowl off the motor base using the handle and remove processed food.

Blade Guide

Chopping S-Blade

The cutting edge of this blade is extremely sharp and it should only be handled by the plastic spindle.

INGREDIENTS	PROCEDURE
Onions, Vegetables, Fruits and Cooked Meats	Cut ingredients into approximately 2.5cm cubes. Place in processing bowl, up to 750g at a time. Process, using the 'LOW' or 'PULSE' speed settings until all the ingredients are chopped as desired. Remove lid and scrape the sides down with the spatula between pulses to ensure more even chopping.
Raw Meats (boneless)	Trim the meat of fat and gristle, remove any bones. Cut into 2.5cm cubes. Process up to 750g at a time using the 'LOW' speed setting, scraping down the sides of the bowl, until the meat is coarse or fine as desired.
Herbs	Make sure the herbs are as dry as possible. Place in the processing bowl and use the 'LOW' speed setting, until finely chopped. Scrape down the sides of the bowl at least once during processing. Up to 4 cups of firmly packed herbs can be processed at a time.
Breadcrumbs or Biscuits	Quarter the slices of bread or break up the biscuits. Place into the processing bowl, using the 'LOW' speed setting. Process up to 5 slices of bread, crusts removed, at any one time. Use stale bread for drier breadcrumbs.
Nuts (shells removed)	Place up to 2 cups of nuts in the processing bowl at one time and process using the 'HIGH' or 'PULSE' speed settings. If chopped too finely the nuts will become oily and eventually form into a paste. Processing smaller quantities at one time will ensure even chopping.
Hard Boiled Eggs	Remove the shell and halve the eggs before placing in the processing bowl. Process using the 'PULSE' speed setting.

Shredding Disc

Always use the food pusher when using the reversible slicing/shredding disc.

INGREDIENTS	PROCEDURE
Potatoes and Root Vegetables	Place into the feed chute and process using firm pressure. Peel and cut into pieces if necessary, to fit in the feed chute.
Carrots, Zucchini, Cucumber, Onions	Prepare the vegetables and place into the feed chute. Placing vertically will give shorter shreds than placing horizontally. Process using firm pressure on the food pushers.

Blade Guide

Slicing Disc

The slicing disc processes cooked meats and vegetables into thin slices with a large surface area. Always use the food pusher when using the reversible slicing/shredding disc.

INGREDIENTS	PROCEDURE
Onions	Peel the onions and halve if too large to fit into the feed chute. Place the onions in the feed chute. Process using firm pressure on the food pushers.
Carrots, Zucchini, Cucumber, Onions	For rounds arrange foods vertically in the feed chute. For slices arrange foods horizontally in the feed chute. Process by using firm pressure on the food pushers.
Capsicums	Remove the core and seeds. Halve the capsicums if necessary and arrange them vertically in the feed chute. Process using firm pressure on the food pushers.
Mushrooms	Wipe any dirt from the mushrooms and place into the feed chute. Process using firm pressure on the food pushers.
Apples and Peaches	Peel if desired, remove the core/stone and quarter the fruit. Place the quarters into the feed chute and process using firm pressure on the food pushers.
Cabbage and Lettuce	Cut cabbage into wedges, place into the feed chute and process using firm pressure on the food pushers.
Cabanossi and Salami	Place meat vertically into the feed chute. Process using firm pressure on the food pushers.
Potatoes	Peel the potatoes and cut into pieces, if necessary, to fit into the feed chute. Process using firm pressure on the food pushers.

Care, Cleaning & Storage

Before disassembling, cleaning or storing, always switch the food processor off at the power outlet and then remove the power plug from the outlet.

CLEANING THE PROCESSING BOWL, LID AND ACCESSORIES

1. Wash the processing bowl, lid, feed chutes, S-blade, reversible slicing/shredding disc, food pushers in warm, soapy water after each use. Rinse thoroughly and dry.
2. Wipe the motor base with a damp, clean cloth.

NOTE

The processing bowl, processing bowl lid, reversible slicing/shredding disc, S-blade, and food pushers are dishwasher-safe.

WARNING

Do not immerse the motor base in any liquid.

WARNING

Handle the S-blade and reversible slicing/shredding disc with care as the blades are sharp!

STORAGE

All accessories should be stored inside the processing bowl and out of the reach of children to avoid accidental cuts.

Carefully push the power cord into the cord storage compartment found at the rear of the food processor and store the food processor in a cool, dry place.

 **NOTES**



NOTES

 **NOTES**

Kambook - Australia

Ground Floor, Suite 2, 170-180 Bourke Rd
Alexandria NSW 2015, Australia

Locked Bag 2000
Botany NSW 1455
Customer Service Line 1300 139 798
Customer Service Fax 1800 621 337

www.kambook.com.au

Kambook - New Zealand

Private Bag 94411
Botany, Manukau
Auckland 2163
New Zealand
Customer Service Line/
Spare Parts 0800 273 845
Customer Service Fax 0800 288 513

www.kambook.co.nz

KAMBR∞K

Due to continual improvement in design or otherwise, the product you purchase may differ slightly from the illustration in this book. Issue C20